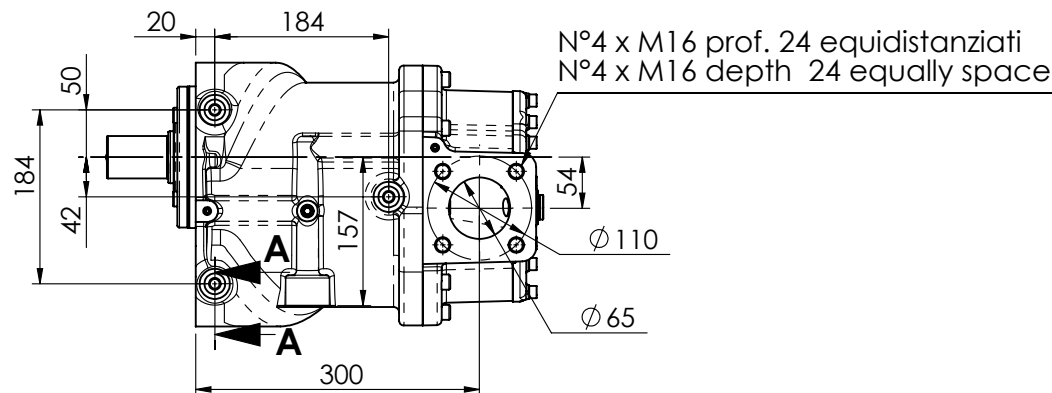
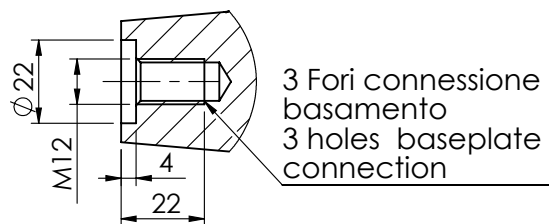
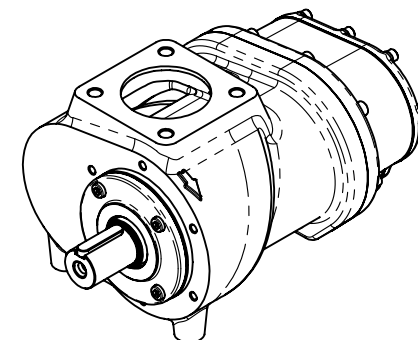
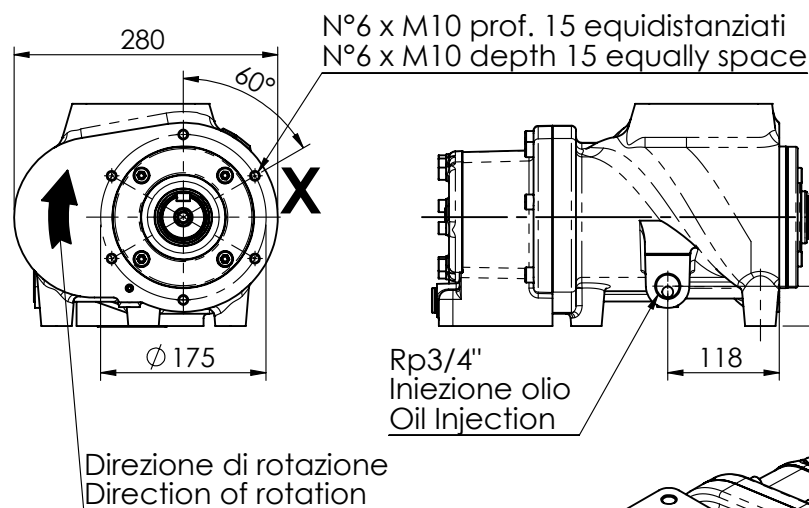
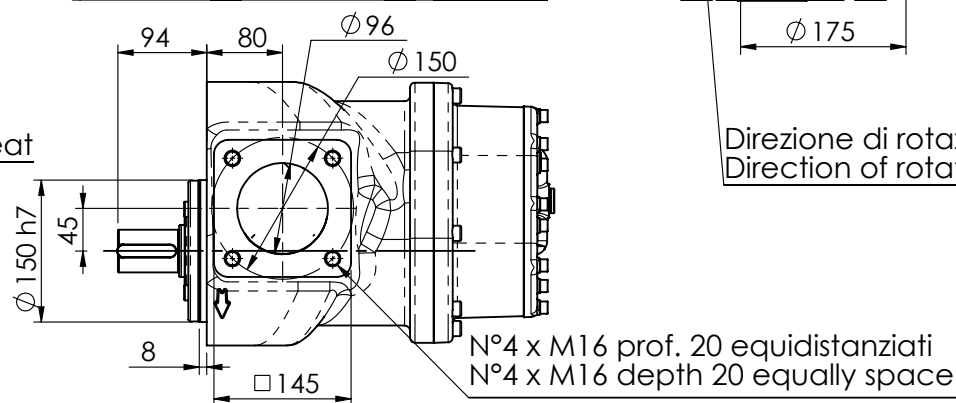
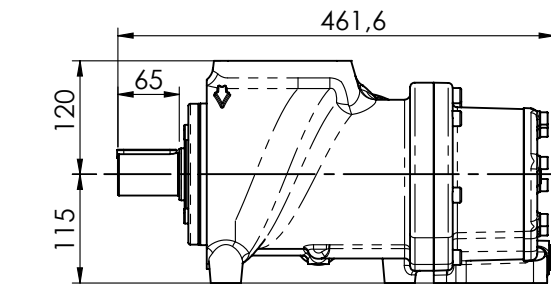
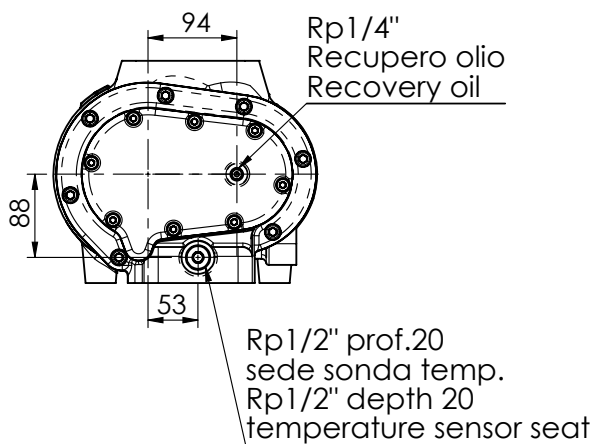
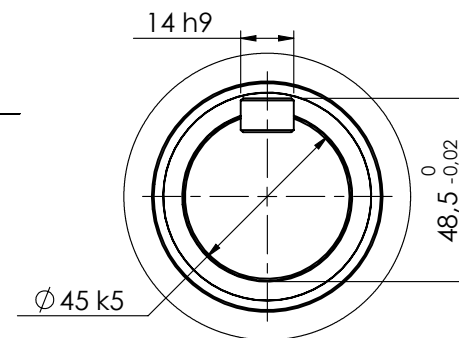


# Gruppo Vite Mod. V130/B AIR END Mod. V130/B

**SEZIONE A-A  
 SECTION A-A**



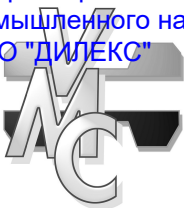
**DETTAGLIO X  
 DETAIL X**



**S.I. sistema internazionale**

Le quote mostrate sono in mm  
 The showed dimensions are in mm

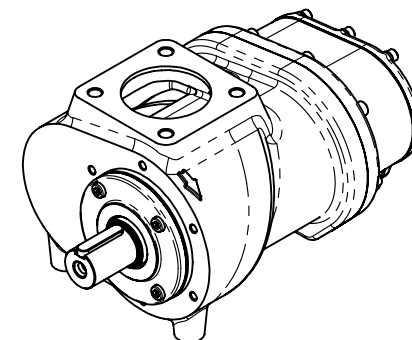
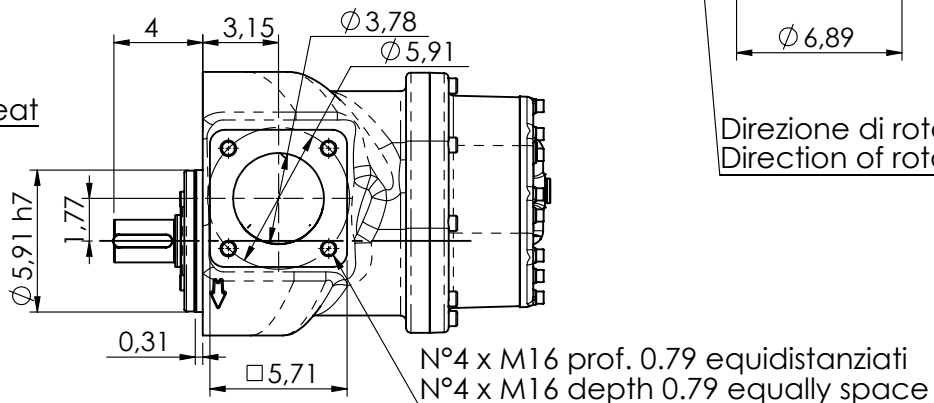
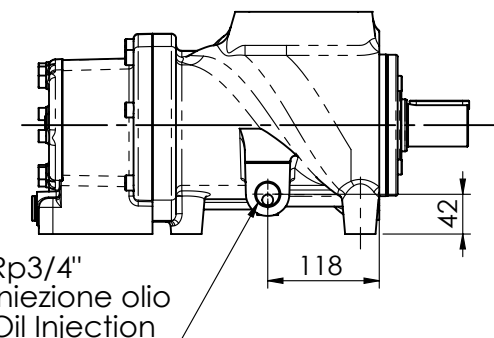
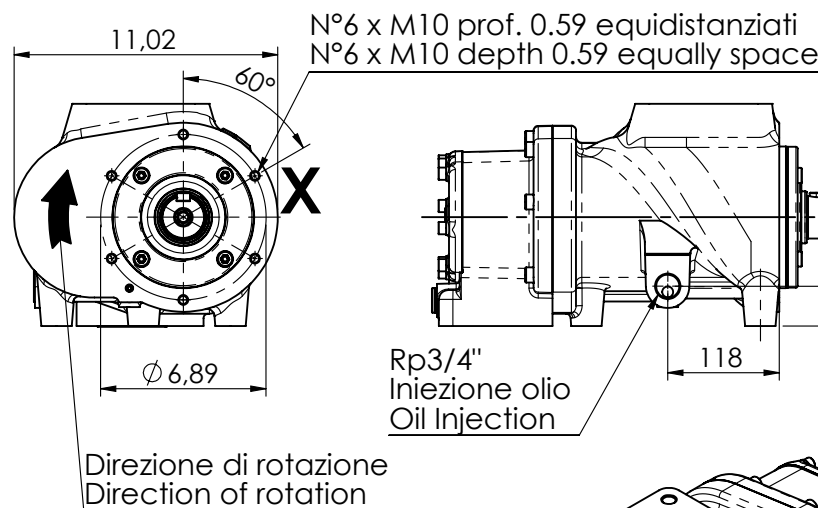
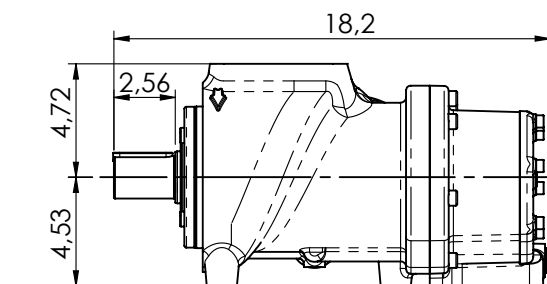
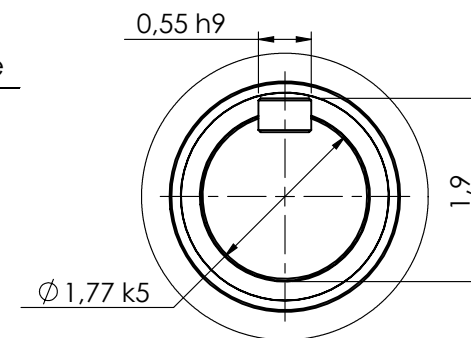
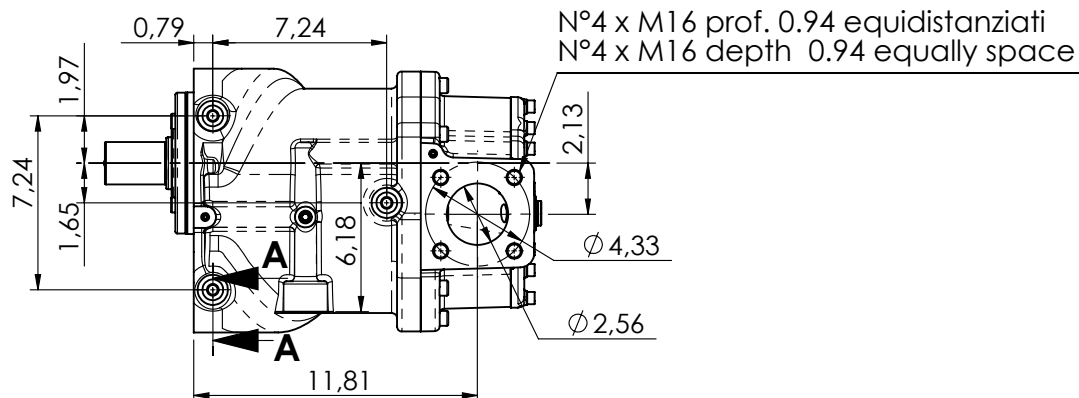
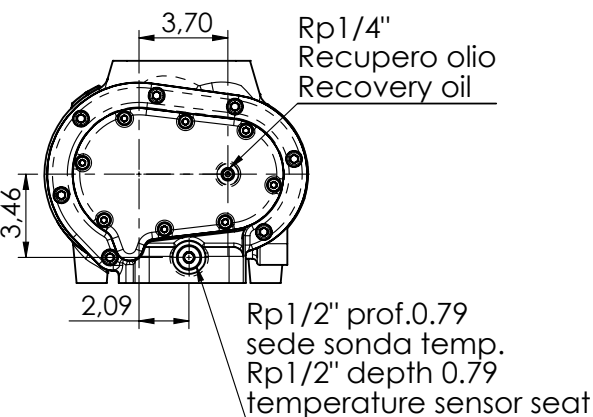
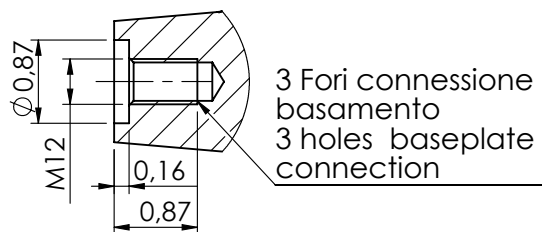
|              |    |                       |    |              |       |                     |      |                  |    |
|--------------|----|-----------------------|----|--------------|-------|---------------------|------|------------------|----|
| TIPO<br>TYPE | PQ | REVISIONE<br>REVISION | 00 | DATA<br>DATE | 12/08 | ARTICOLO<br>ARTICLE | 950. | MODELLO<br>MODEL | 00 |
|--------------|----|-----------------------|----|--------------|-------|---------------------|------|------------------|----|



# Gruppo Vite Mod. V130/B AIR END Mod. V130/B

## DETTAGLIO X DETAIL X

### SEZIONE A-A SECTION A-A



### U.S. units system

The showed dimensions are in INCH  
 Le quote mostrate sono in POLLICI

|              |    |                       |    |              |       |                     |      |                  |    |
|--------------|----|-----------------------|----|--------------|-------|---------------------|------|------------------|----|
| TIPO<br>TYPE | PQ | REVISIONE<br>REVISION | 00 | DATA<br>DATE | 12/08 | ARTICOLO<br>ARTICLE | 950. | MODELLO<br>MODEL | 00 |
|--------------|----|-----------------------|----|--------------|-------|---------------------|------|------------------|----|